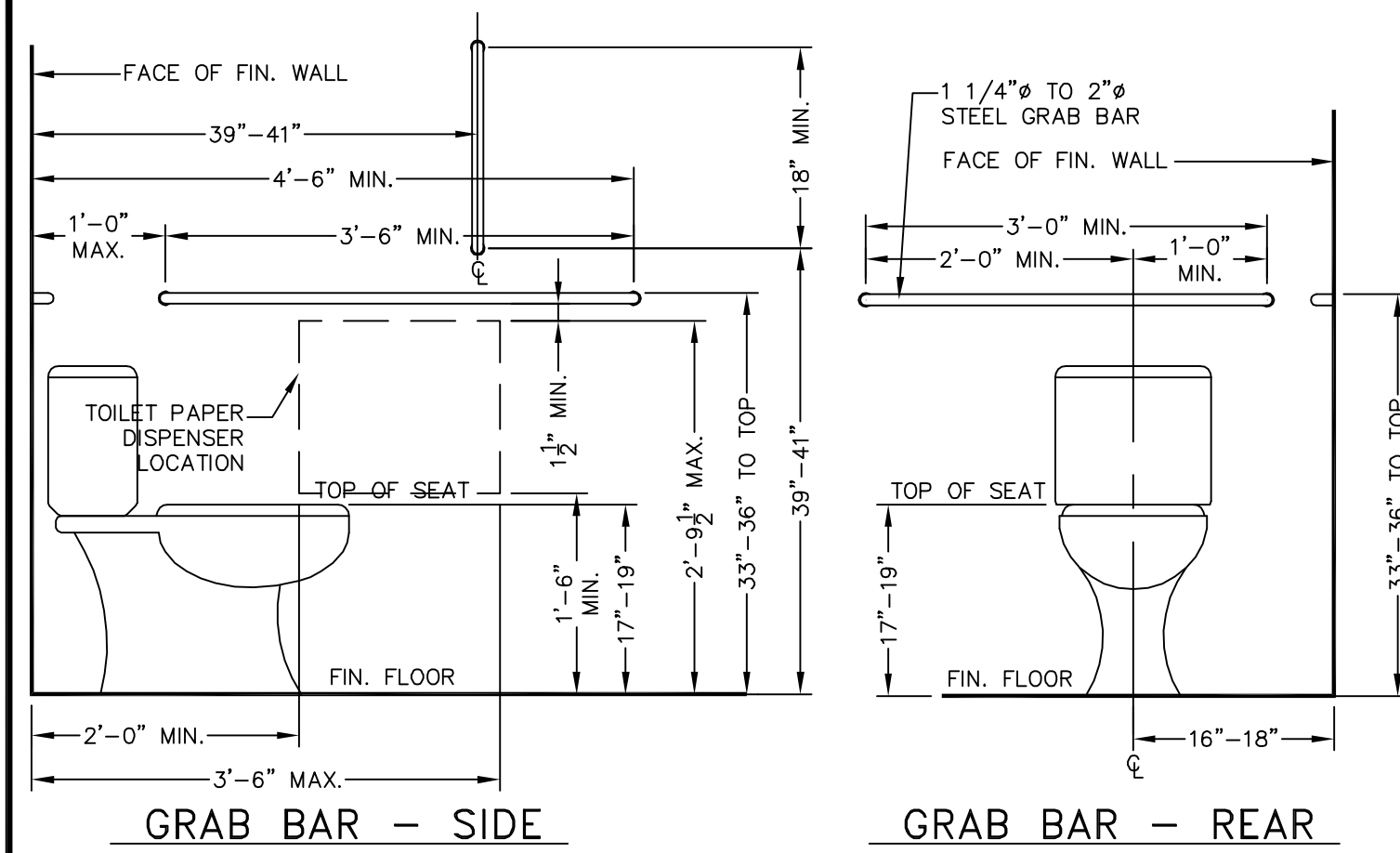
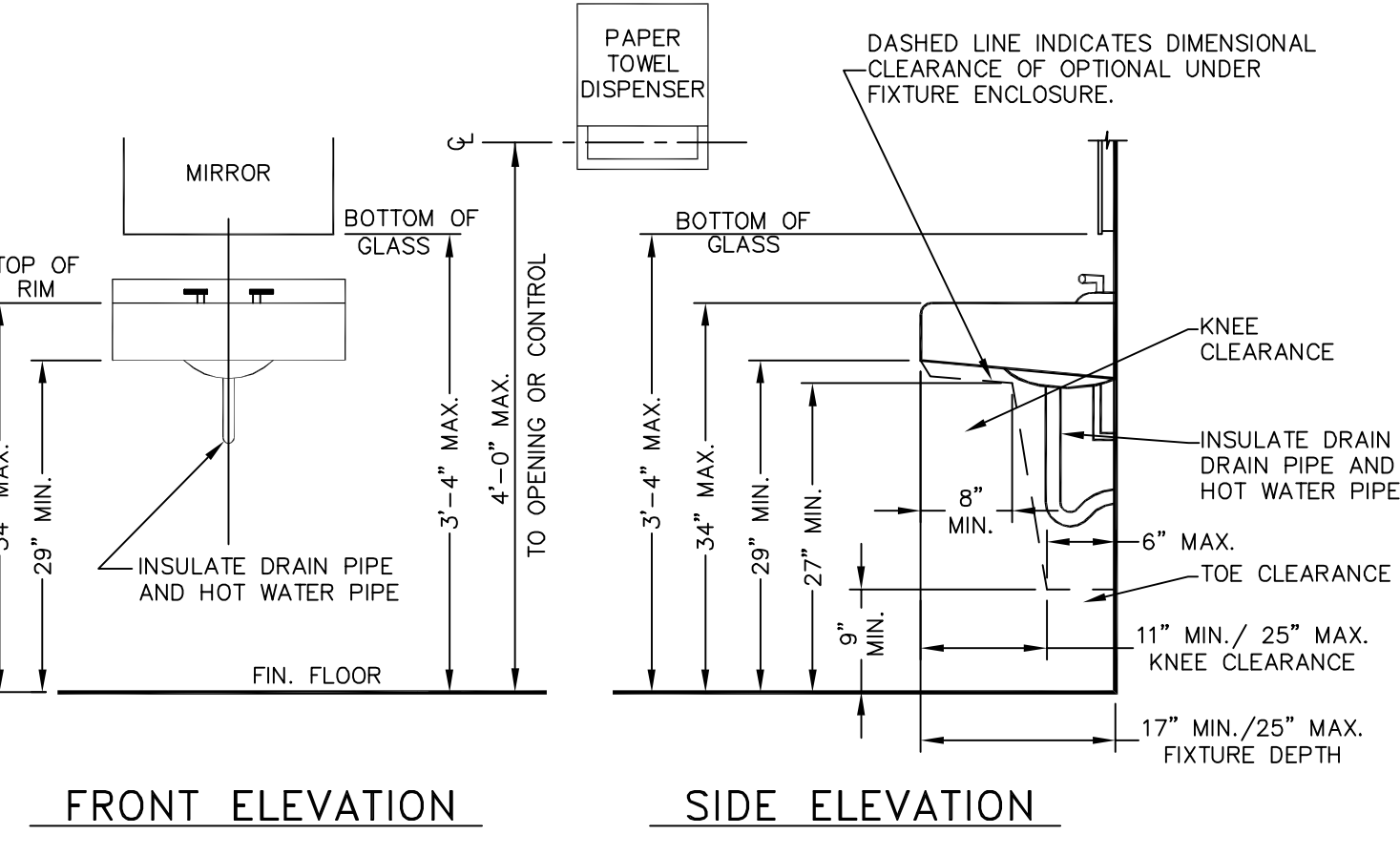


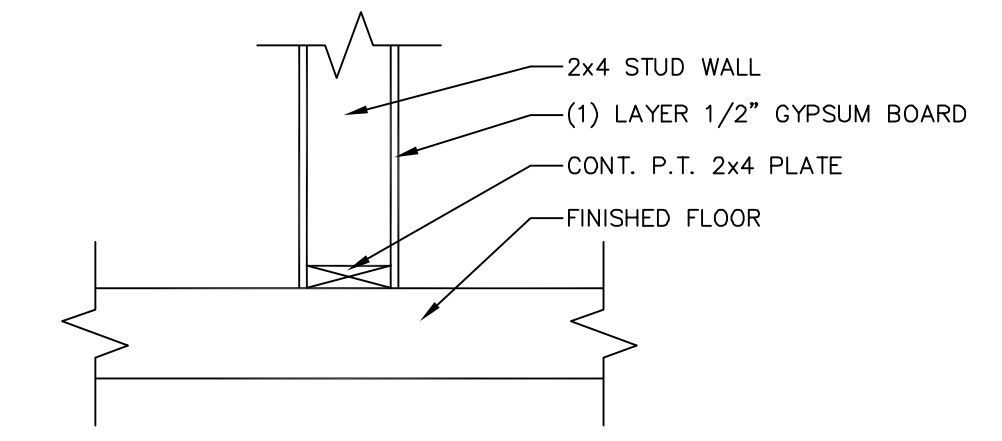
HANDICAP BATHROOM DETAIL
NO SCALE



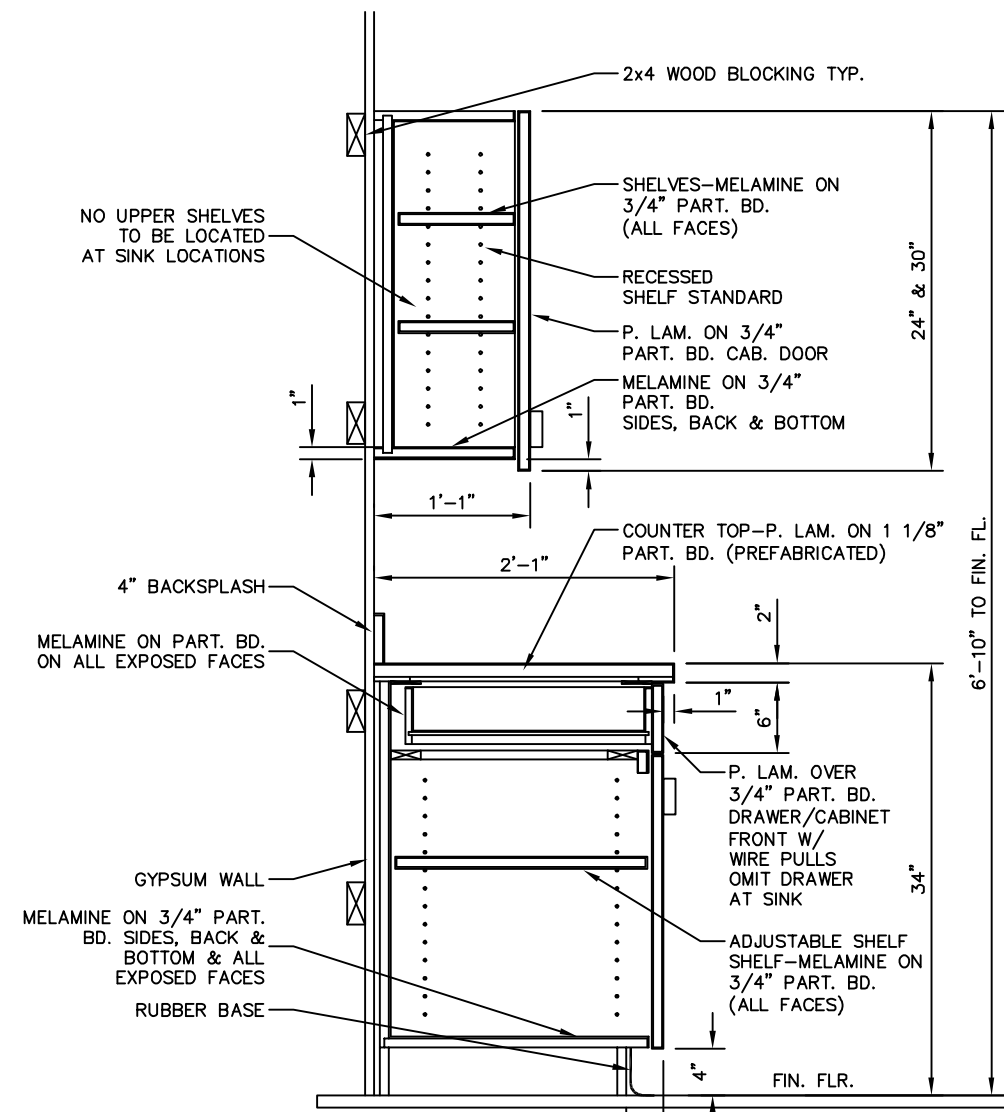
BARRIER FREE TOILET DIMENSIONAL REQUIREMENTS
NO SCALE



BARRIER FREE LAVATORY DIMENSIONAL REQUIREMENTS
NO SCALE



TYPICAL WALL DETAIL
NO SCALE



TYPICAL COUNTER DETAIL
NOT TO SCALE

FINISH SCHEDULE							
ROOM NUMBER	ROOM NAME	FLOOR	WALLS	CEILING	REMARKS		
		VCT TILE	EXPOSED STRUCTURE/ EXISTING FINISH	SHERWIN WILLIAMS INTERIOR PAINT DURATION HOME SATIN COLOR: TBD	EXPOSED STRUCTURE/ EXISTING FINISH	CT-1 ARMSTRONG SUPRATONE 2x4 DUNE #177	
101	CLOSET	●					
102	OPEN OFFICE	●	●	●			
103	TOWN CLERK	●	●	●			
104	LOBBY	●	●	●			
105	VESTIBULE	●	●	●	●		
106	MEETING ROOM	●	●	●			
107	HALLWAY	●	●	●			
108	ADA BATH	●	●	●			
109	KITCHEN	●	●	●			
110	CONSTABLE OFFICE	●	●	●			
111	OPEN OFFICE	●	●	●			
112	HALLWAY	●	●	●			

PLUMBING FIXTURE SCHEDULE			
FIXTURE	ADA COMPLIANT	DESCRIPTION	
KITCHEN SINK	YES	AMERICAN STANDARD MODEL 22S86252284S.075, SINGLE BOWL, ADA, 6" DEEP, 4 FAUCET, 20 GAUGE STAINLESS, DROP IN.	
ADA BATH TOILET	YES	AMERICAN STANDARD MODEL 238AA.104.020, ELONGATED BOWL, ADA, 1.28 GPF.	
ADA BATH SINK	YES	AMERICAN STANDARD MODEL 0954.004EC.020, SINGLE BOWL, ADA, 5" DEEP, WALL MOUNTED.	

STATE OF MAINE
JAMES E. COFFIN
8500
LICENSED PROFESSIONAL ENGINEER
James Coffin

E.S. COFFIN
ENGINEERING & SURVEYING, INC.
432 Camp Road, P.O. Box 4687, Augusta, Maine 04330
Ph: (207) 633-2474 Fax: (207) 633-2416 Toll Free: 1-800-544-6474

NO.	REVISIONS	DATE

DETAILS

SCALE: AS SHOWN
DATE: JANUARY 19 2021
DRAWN BY: CSC
CHECKED BY: IFC

CLIENT & PROJECT:
**TOWN OFFICE RENOVATION
TOWN OF FARMINGDALE**

LOCATION: 289 MAIN AVENUE
FARMINGDALE KENNEBEC MAINE

PROJ. NO. 2019-235